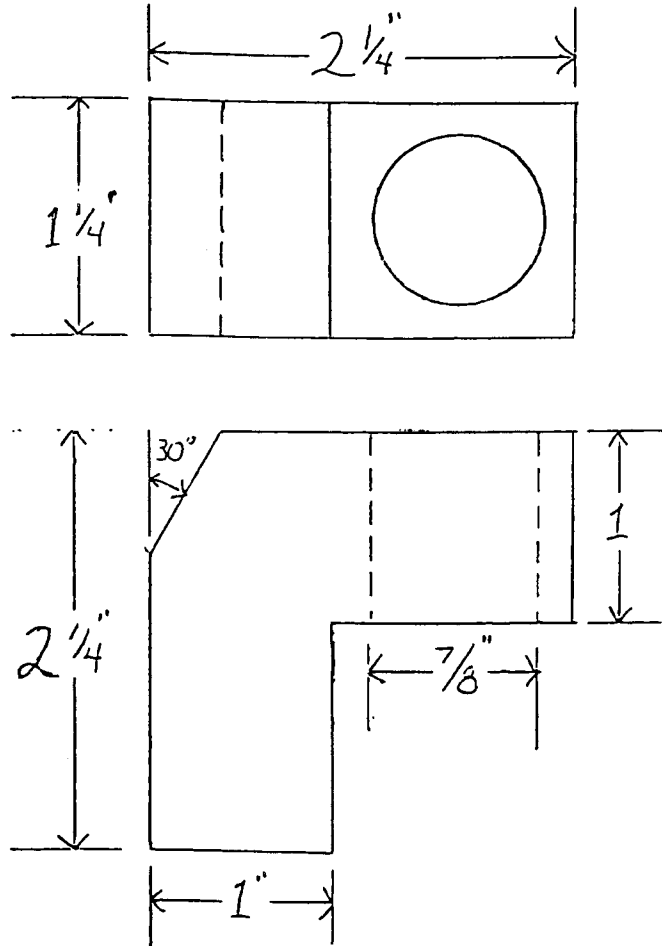


DIKE-O-SEAL, INC



FLASK LOCATOR
(PART NO. 91650-010000-6007)